

JAYPEE UNIVERSITY OF INFORMATION TECHNOLOGY, WAKNAGHAT

TEST -2 EXAMINATION

M.Tech. (SE) - Ist Semester

COURSE CODE: 11M1WCE111

MAX. MARKS: 25

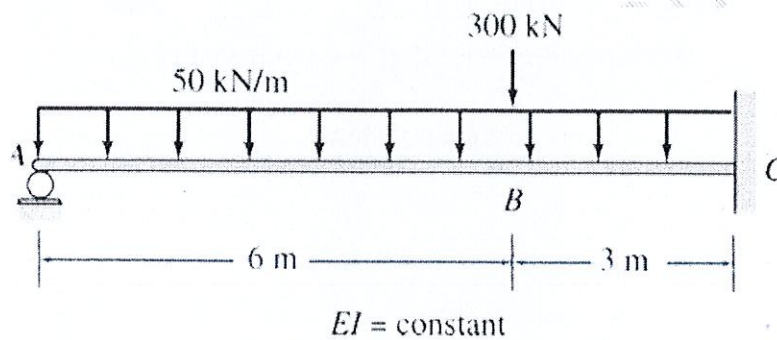
COURSE NAME: Advanced Structure Analysis

COURSE CREDITS: 03

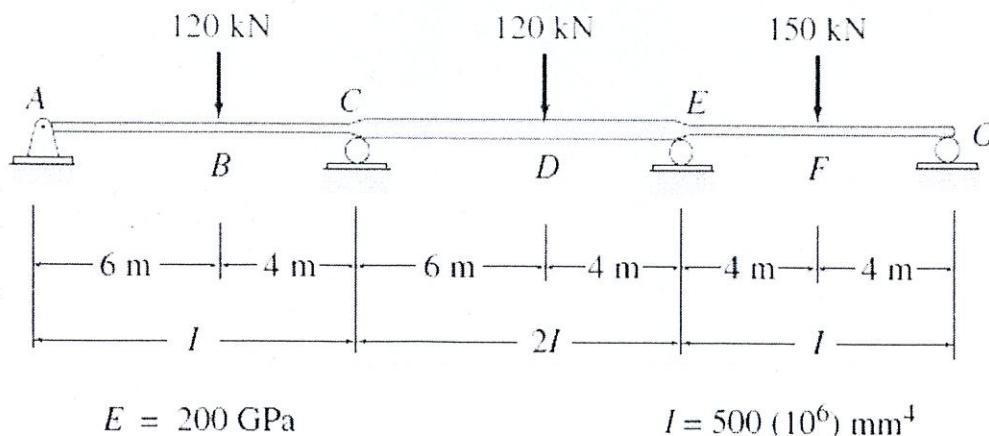
MAX. TIME: 1.5Hour

Note: All questions are compulsory. Carrying of mobile phone during examinations will be treated as case of unfair means.

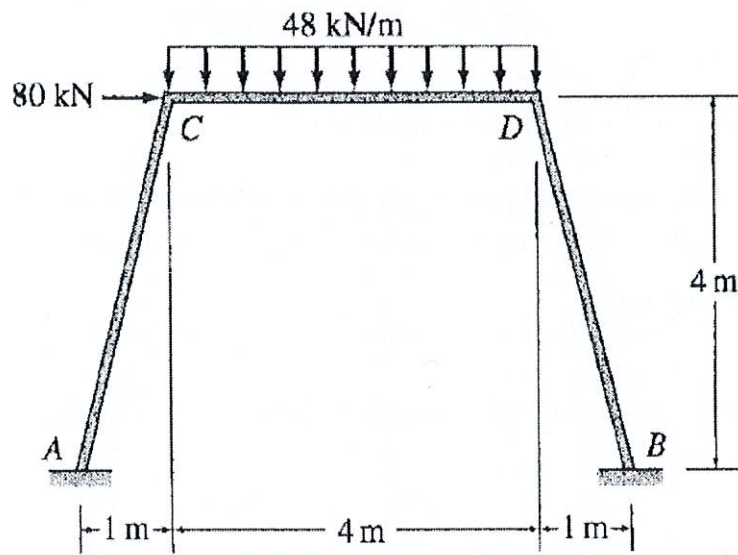
Q.1. Solve the given beam by using force method. Draw bending moment diagram and bending pattern of the beam also. (6)



Q.2. Solve the given beam by using Slope deflection equation and Moment distribution method and match the answers. (6+6)



Q.3. Solve the given frame by using Slope Deflection Equation Method. Assume the value of EI as given in problem 2. (7)



$EI = \text{constant}$