

Dr. Shanti Jain

JAYPEE UNIVERSITY OF INFORMATION TECHNOLOGY, WAKNAGHAT

TEST-3 EXAMINATION- DECEMBER -2019

PhD

COURSE CODE: 19P1WEC101

MAX. MARKS: 35

COURSE NAME: RECONFIGURABLE COMPUTING

COURSE CREDITS: 03

MAX. TIME: 2 HRS

*Note: All questions are compulsory. Carrying of mobile phone during examinations will be treated as case of unfair means.*

1. Define a reconfigurable processor and explain its main features. [5]
2. Explain Configuration architectures. Explain each blank box of Fig 1. [6]

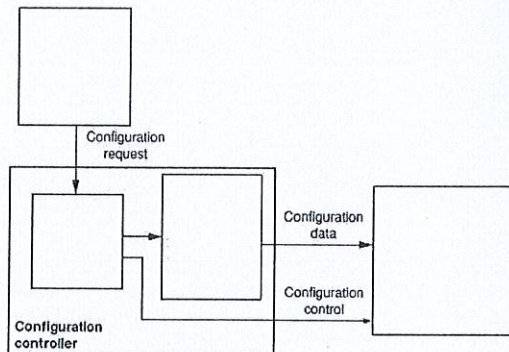


Fig 1

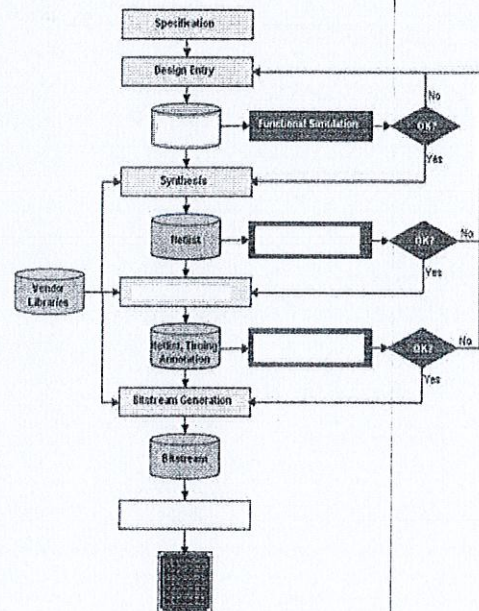


Fig 2

3. Configurations are loaded in advance of when they are needed and those likely to be reused in the near future. Justify [6]
4. How can reconfigurable processor be employed? [6]
5. Compare reconfigurable processors with other processor types. Explain some applications of reconfigurable processors. [6]
6. Design a reconfigurable processor based on modern FPGAs. Complete the blank boxes of Fig 2. [6]