

JAYPEE UNIVERSITY OF INFORMATION TECHNOLOGY, WAKNAGHAT
TEST -2 EXAMINATION- OCT-2018

M.Tech. Ist Semester

COURSE CODE: 11M1WCE111

MAX. MARKS: 25

COURSE NAME: Advanced Structural Analysis

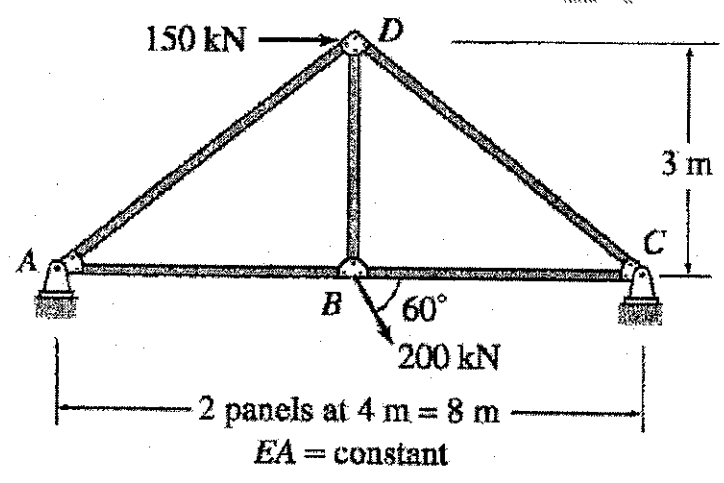
COURSE CREDITS: 04

MAX. TIME: 1.5 Hours

Note: All questions are compulsory. Carrying of mobile phone during examinations will be treated as case of unfair means.

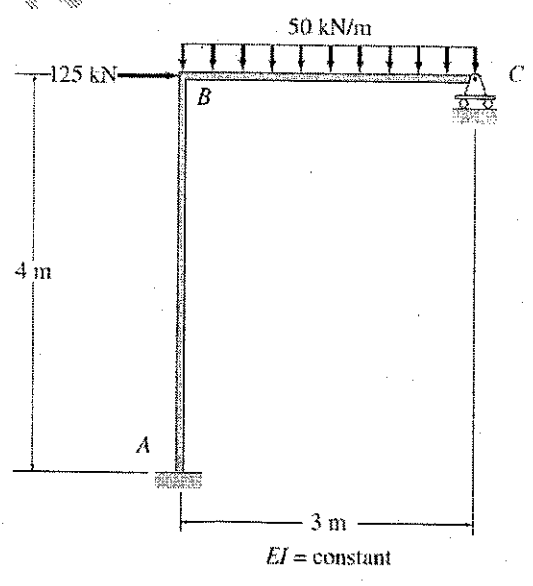
Q.1 Solve the given truss by using Force Method.

(8)



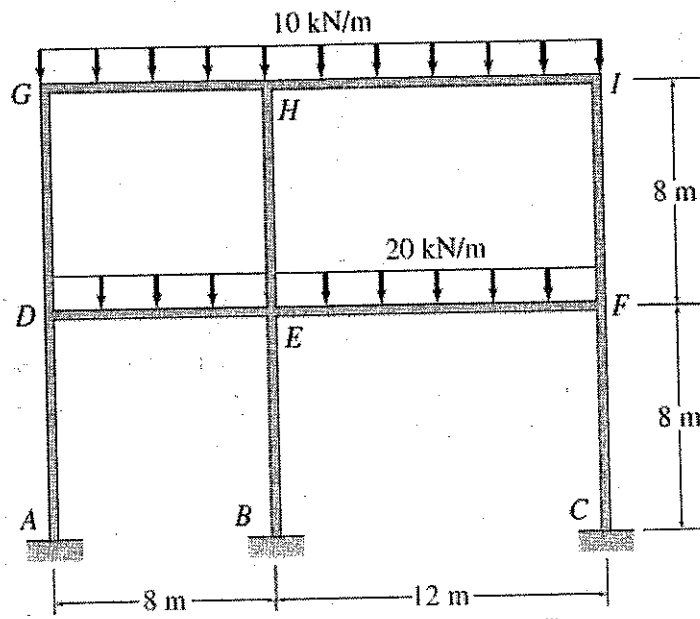
Q.2. Solve the given frame by using Moment Distribution Method.

(9)



Q.3. Solve the given frame by using approximate method of frame.

(8)



JUT 12 EXAMINATIC

8107