

JAYPEE UNIVERSITY OF INFORMATION TECHNOLOGY, WAKNAGHAT  
 TEST -I EXAMINATION- Sep 2017  
 M-Tech 1<sup>st</sup> Semester

COURSE CODE:10M11CE112

MAX. MARKS:15

COURSE NAME: Estimation and Costing

COURSE CREDITS: 4

MAX. TIME: 1Hr

*Note: All questions are compulsory. Carrying of mobile phone or sharing of materials during examinations will be treated as case of unfair means.*

Q 1. Find out dry materials required for 1 cu m. cement concrete 1:4:8 in foundation.

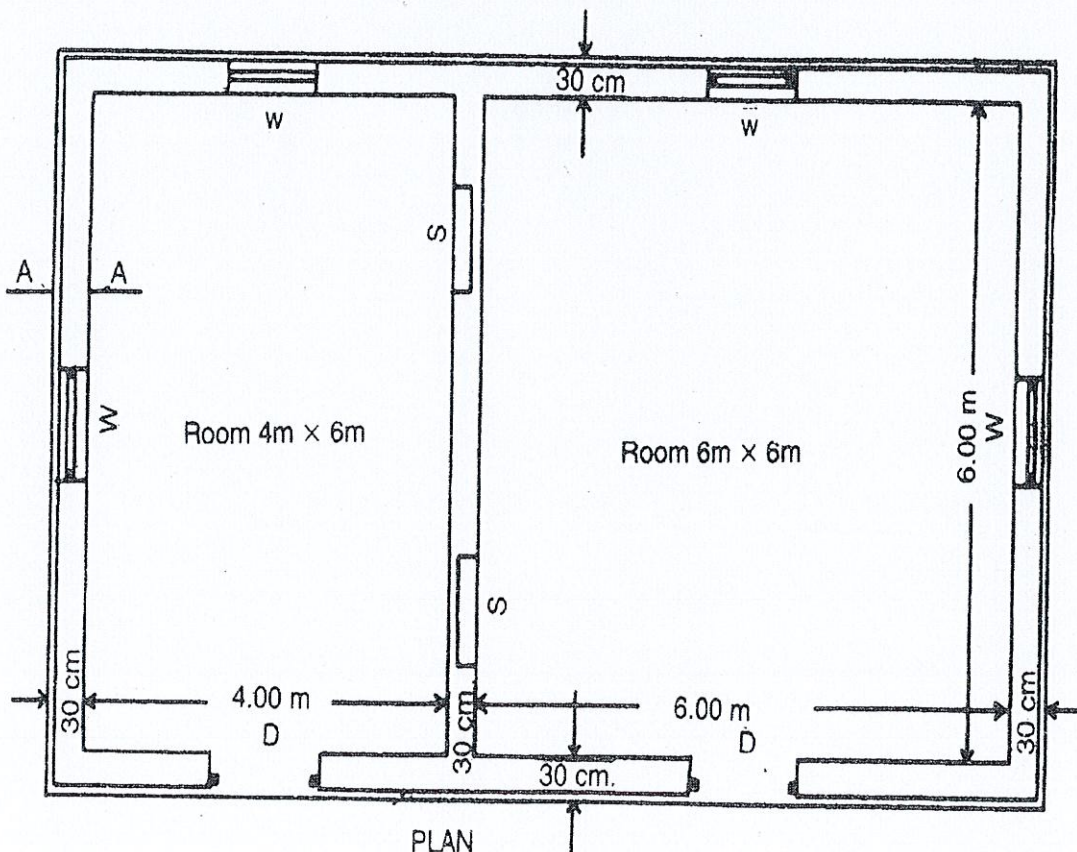
[3 Marks]

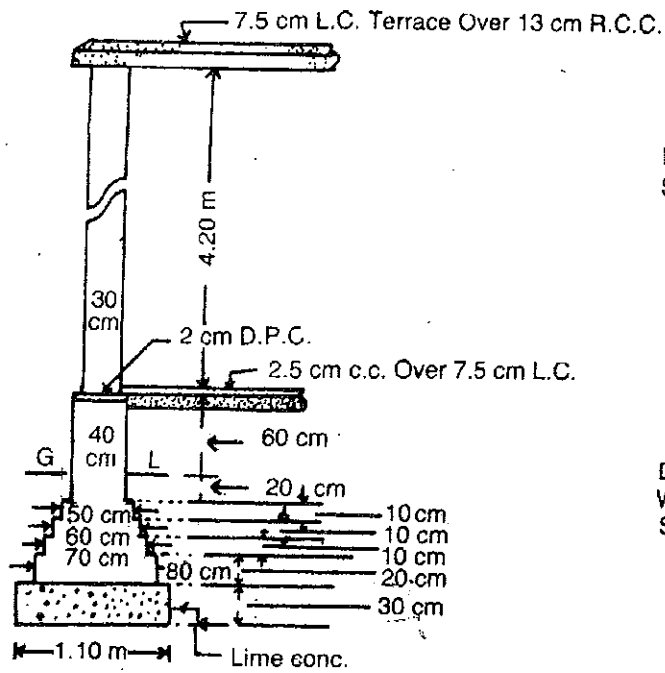
Q 2. Estimate the quantities of materials used of two roomed building for following items only.

[12 Marks]

- Earthwork in foundation
- Lime concrete in foundation
- 1<sup>st</sup> class brickwork in cement work in foundation and plinth
- Brick work in walls
- 3.00 cm damp proof course

**TWO ROOMED BUILDING**





All Walls are of same section  
 Lintels over Doors, Windows and  
 Shelves are 15 cm thick R.B.

Doors D-1.20 m × 2.10 m  
 Windows W-1.00 × 1.50 m  
 Shelves S-1.00 m × 1.50 m

CROSS SECTION OF WALL ON AA.

Fig. 2-6

---End---