

JAYPEE UNIVERSITY OF INFORMATION TECHNOLOGY, WAKNAGHAT

TEST -2 EXAMINATION- Oct 2017

M.Tech.I<sup>st</sup> Semester

COURSE CODE: 11M1WCE111

MAX. MARKS: 25

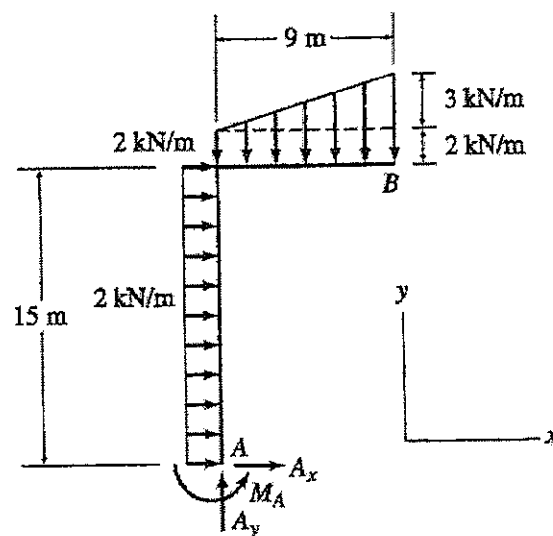
COURSE NAME: ADVANCED STRUCTURAL ANALYSIS

COURSE CREDITS: 4

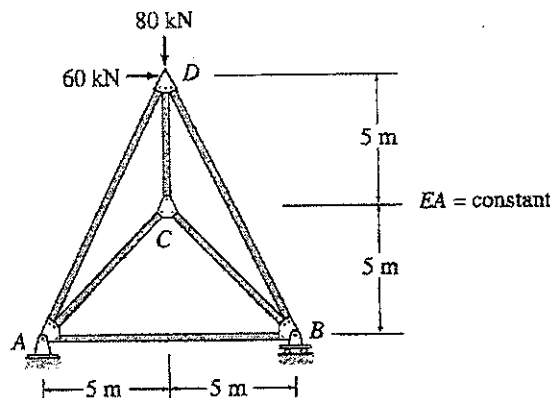
MAX. TIME: One Hour Thirty Minutes

*Note: All questions are compulsory. Carrying of mobile phone during examinations will be treated as case of unfair means.*

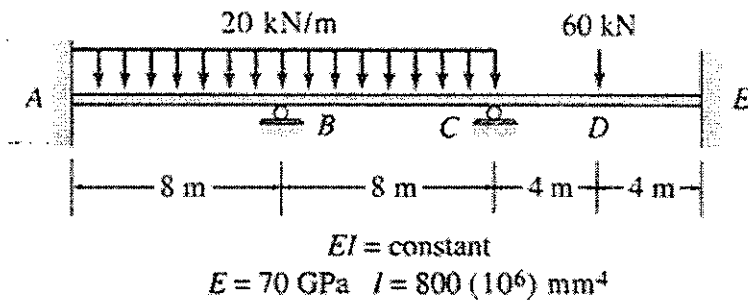
Q.1. Find the Deflection at joint B in y direction of the given frame. (6)



Q.2 Solve the given truss by Force Method & find forces in all members. (7)



Q.3. Solve the given beam by Slope Deflection Equation and Draw the bending moment diagram. (7)



Q.4. Draw the shear force & bending moment diagram and deflection pattern of the given beam.

(5)

