

JAYPEE UNIVERSITY OF INFORMATION TECHNOLOGY, WAKNAGHAT
TEST -2 EXAMINATION- Oct 2017
M-Tech 1st Semester

COURSE CODE:10M11CE112

MAX. MARKS:25

COURSE NAME: Estimation and Costing

COURSE CREDITS: 4

MAX. TIME: 1.5 Hr

Note: All questions are compulsory. Carrying of mobile phone or sharing of materials during examinations will be treated as case of unfair means.

Q 1. Find out dry materials required for 1 cu m. cement concrete 1:4:8 in foundation.

[4 Marks]

Q 2. Calculate the quantity of earthwork for 200 metre length for a portion of a road in a uniform ground , the heights of banks at two ends being 1.00 m and 1.60 m. The formation width is 10 metre and side slopes 2:1 (Horizontal : vertical). Assume there is no transverse slope.

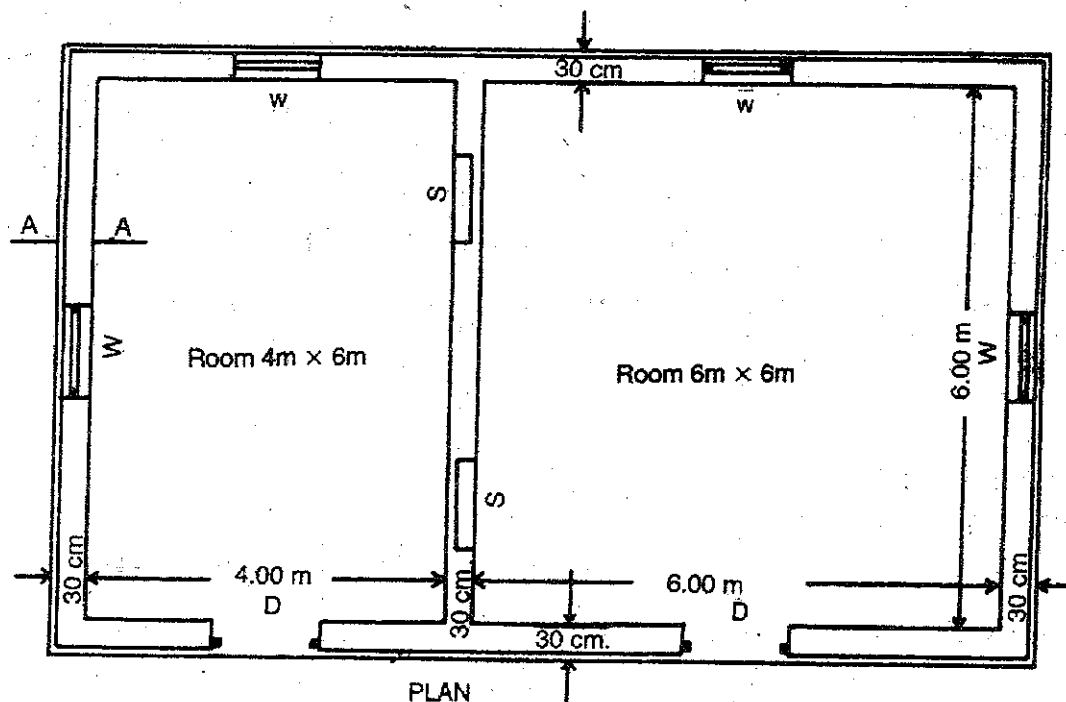
- By Mid-Sectional Area method
- By Mean sectional Area Method
- By Prismoidal Formula Method

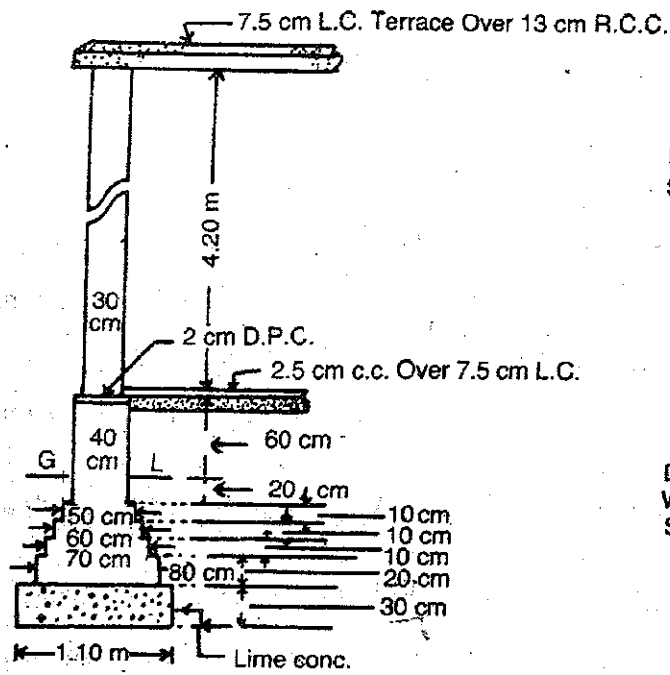
[2 + 2 + 2 = 6 Marks]

Q 3. Estimate the total cost of two roomed building for following items only. [15 Marks]

- Earthwork in foundation
- Lime concrete in foundation
- 1st class brickwork in cement work in foundation and plinth
- 3.00 cm damp proof course

TWO ROOMED BUILDING





CROSS SECTION OF WALL ON AA.

All Walls are of same section
Lintels over Doors, Windows and
Shelves are 15 cm thick R.B.

Doors D-1.20 m × 2.10 m
Windows W-1.00 × 1.50 m
Shelves S-1.00 m × 1.50 m

Fig. 2-6

Rates for various items are as follows:

- a) Earth Excavation = Rs. 450/cu.m
- b) Lime concreting = Rs. 2500/cu.m
- c) 1st class brick work = Rs. 1650/cu.m
- d) DPC = Rs. 875/sq.m

---End---